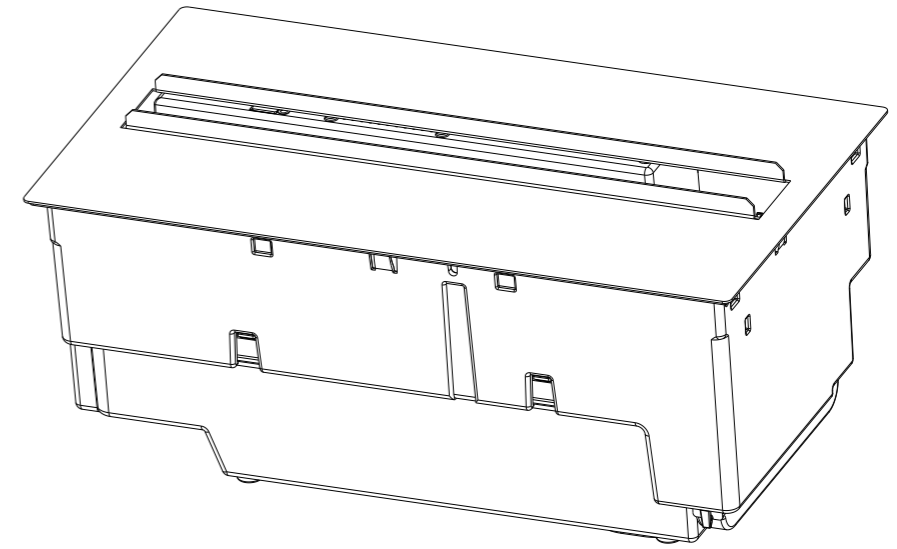
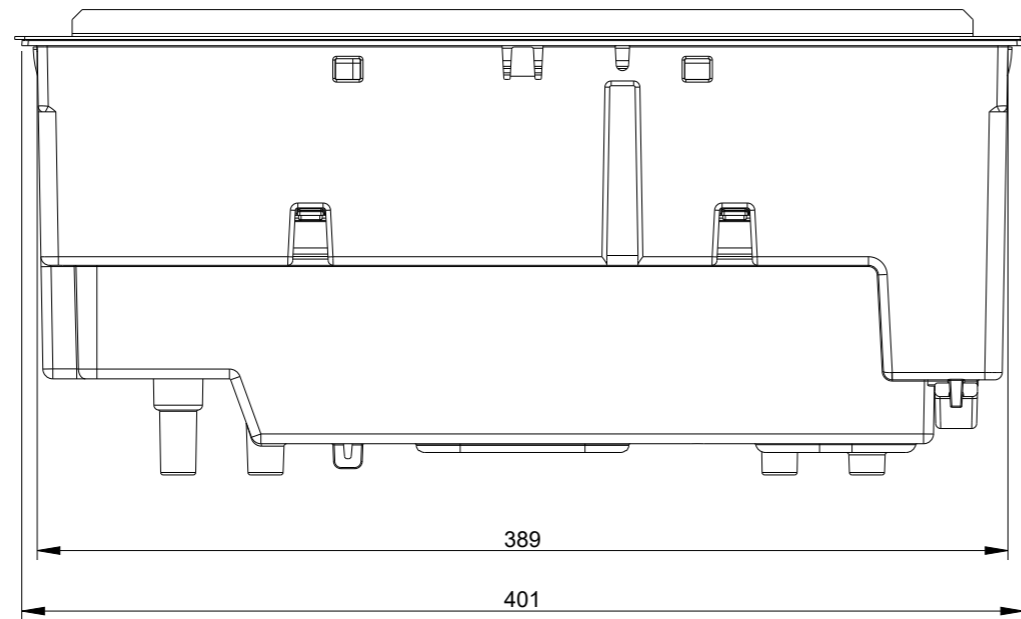
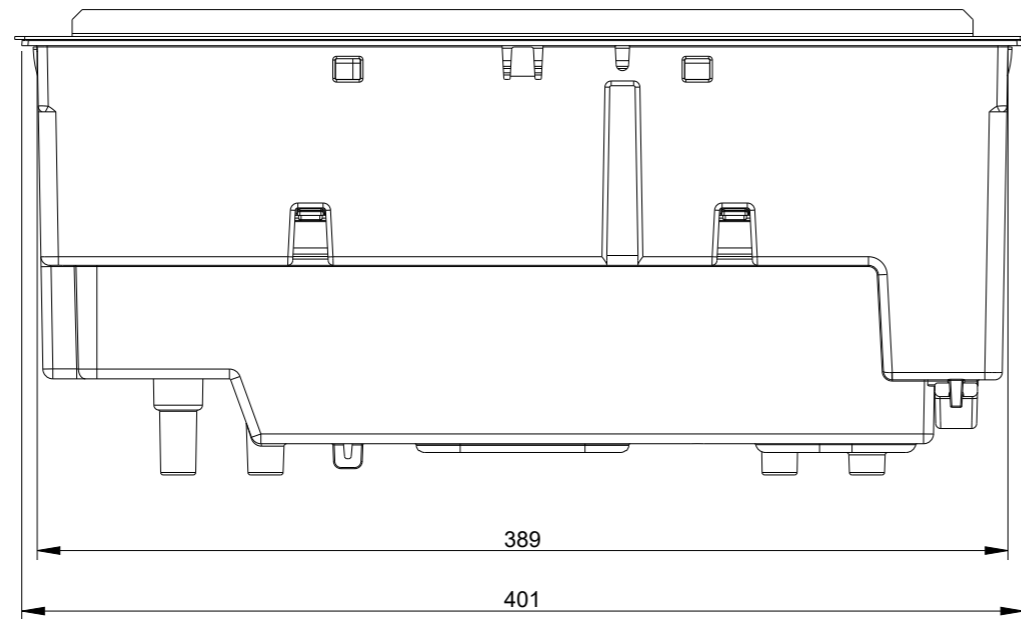


SCALE 0.330



SCALE 0.250



ISSUE	MODIFICATIONS	OCN	APPD	DATE	NOTES
1	RELEASE FOR PRODUCTION	----	HC	11-07-19	HOLE IN FURNITURE 390x205 +5 -0mm
2	PART NUMBER FOR SUMP CORRECTED ON PG2	----	HC	22-02-21	
3	BOTTLE BASE PART NUMBER CORRECTED FROM 1/73969/0 TO 1/74041/0. CHECK ITEM NUM 10 IN SHEET 2	----	AR	08-04-22	

DO NOT SCALE
IF IN DOUBT ASK

THIRD ANGLE PROJECTION

GLEN DIMPLEX RESEARCH & DEVELOPMENT
HEATING AND VENTILATION IRELAND
Barn road, Dunleer, Co.Louth, Ireland. Tel: +353(0)41 6872000

DRAWN BY	DATE	SCALE	HOLE TOL	GEN TOL
CL	03-10-18		+/-0.05	0 +/-0,4
APP'D BY	DATE	DIM IN	ANGLES	0,0 +/-0,2
		mm	+/-0.5°	0,00+/-0,1

MATERIAL: -----
FINISH: -----

R.o.H.S. compliant
All materials must comply with the requirements of European Directive 2015/863/EU on the restriction of the use of certain hazardous substances

THIS DRAWING IS SUPPLIED IN CONFIDENCE AND THE COPYRIGHT THEREOF IS THE PROPERTY OF GLEN DIMPLEX: IT MUST NOT BE USED BY A THIRD PARTY WITHOUT PRIOR PERMISSION. ©2018

PROJECT: CAS400L

TITLE: PRODUCT ASSEMBLY

NO. OFF: 1

DRG NO: 7/20499/0

A3
Sht 1 of 2